

 Digital Signage

melford **ULTRA-WIDE STRETCHED BAR DISPLAY**

Versatile 37" ultra-wide LCD display - ideal as a banner-style endcap display and accompaniment to shelf-edge displays

High quality IPS panel

Flexible portrait or landscape orientation

Streamlined enclosure with a narrow bezel

HD resolution

Unique, ultra-wide aspect ratio

ADDITIONAL FEATURES



1000cd/m²
high
brightness



Plug and
play



Android
media player



24/7
commercial
grade design



Free wall
mount



Multiple
inputs



Free network
upgrade



Multiple
media zones

melfordtechnologies.com



Presenting the
Melford Ultra-Wide
Stretched Bar
Display range

melford



ULTRA-WIDE ASPECT RATIO



HIGH BRIGHTNESS

IPS

IPS PANEL

HD

CLEAR HD IMAGE



24/7 COMMERCIAL GRADE



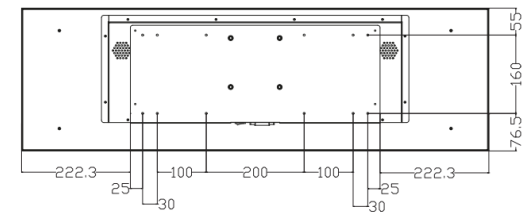
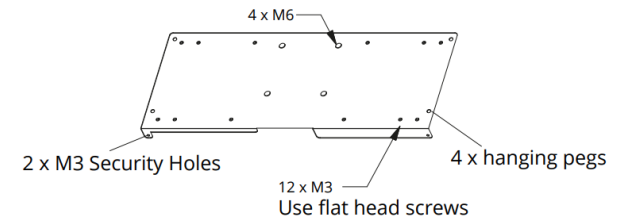
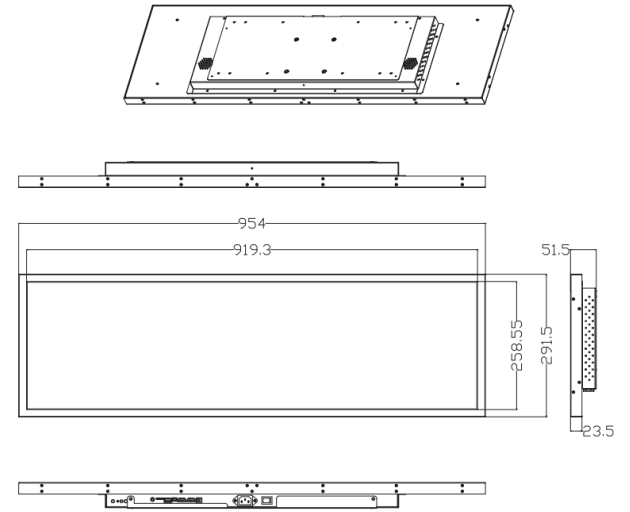
PLUG AND PLAY



NETWORK UPGRADE



OTHER SIZES AVAILABLE



melford

37 Inch

Panel	Resolution	1920 x 540
	Display Area (mm)	919.3 x 259.55
	Aspect Ratio	32:9
	Brightness (cd/m ²)	1000
	Colour	16.7M
	Viewing Angle	89°
	Contrast Ratio	1000:1
AV Inputs	Video	HDMI, VGA
	Audio	Audio Socket (3.5mm)
Power	Power Consumption (W)	36
	Input Voltage	DC 12V
Mechanical	Unit Size (WxHxD mm)	954.5 x 291.5 x 51.5
	Package Size (WxHxD mm)	1055 x 390 x 220
	VESA Holes (mm)	100 x 100
	Net Weight (Kg)	8
	Gross Weight (Kg)	9
Environmental	Operating Temperature	0°C to 40°C
	Storage Temperature	-10°C to 60°C
	Operating Humidity	10% to 85%
	Storage Humidity	5% to 95%
Computer	Media Formats	Video (MPG, AVI, MP4, RM, RMVB, TS), Audio (MP3, WMA), Image (JPG, GIF, BMP, PNG)
	Media Resolution	1920 x 540
	CPU	Quad-Core ARM Cortex A17, 1.6GHz
	GPU	Quad-Core ARM Mali-T764
	RAM	DDR3 2GB
	Internal Storage	8GB eMMC
	USB	1 x USB (OTG/HOST), 1 x USB (HOST)
	LAN	100M/1000M Ethernet (Network Version Only)
	Wi-Fi	802.11 b/g/n (2.4GHz) (Network Version Only)
	Bluetooth	Bluetooth 4.0
	OS	Android 7.1
	Graphic Engine	OpenGL ES 1.1/2.0/3.0/3.1, OpenCL 1.1, Renderscript, Direct3D 11.1
Accessories	Included	Scheduling Software, Remote Control, User Manual, Wall Mount
	Optional	Network Upgrade, Wall Mount, Floor Stand/Trolley, Ceiling Mount, Table Stand
Warranty	Warranty Period	3 Year Warranty
	Technical Support	Lifetime

Why Melford?

Melford Technologies have been offering innovative technology solutions for over 50 years.

We provide experienced professional design, project planning, configuration, deployment, and maintenance services for a full one stop shop.

We can assist with the design and manufacture of your digital signage solution from the blank piece of paper at the initial meeting through to installation and post-sales support.

Contact Us

+44 (0)1494 638 069

info@melfordtechnologies.com

melfordtechnologies.com

